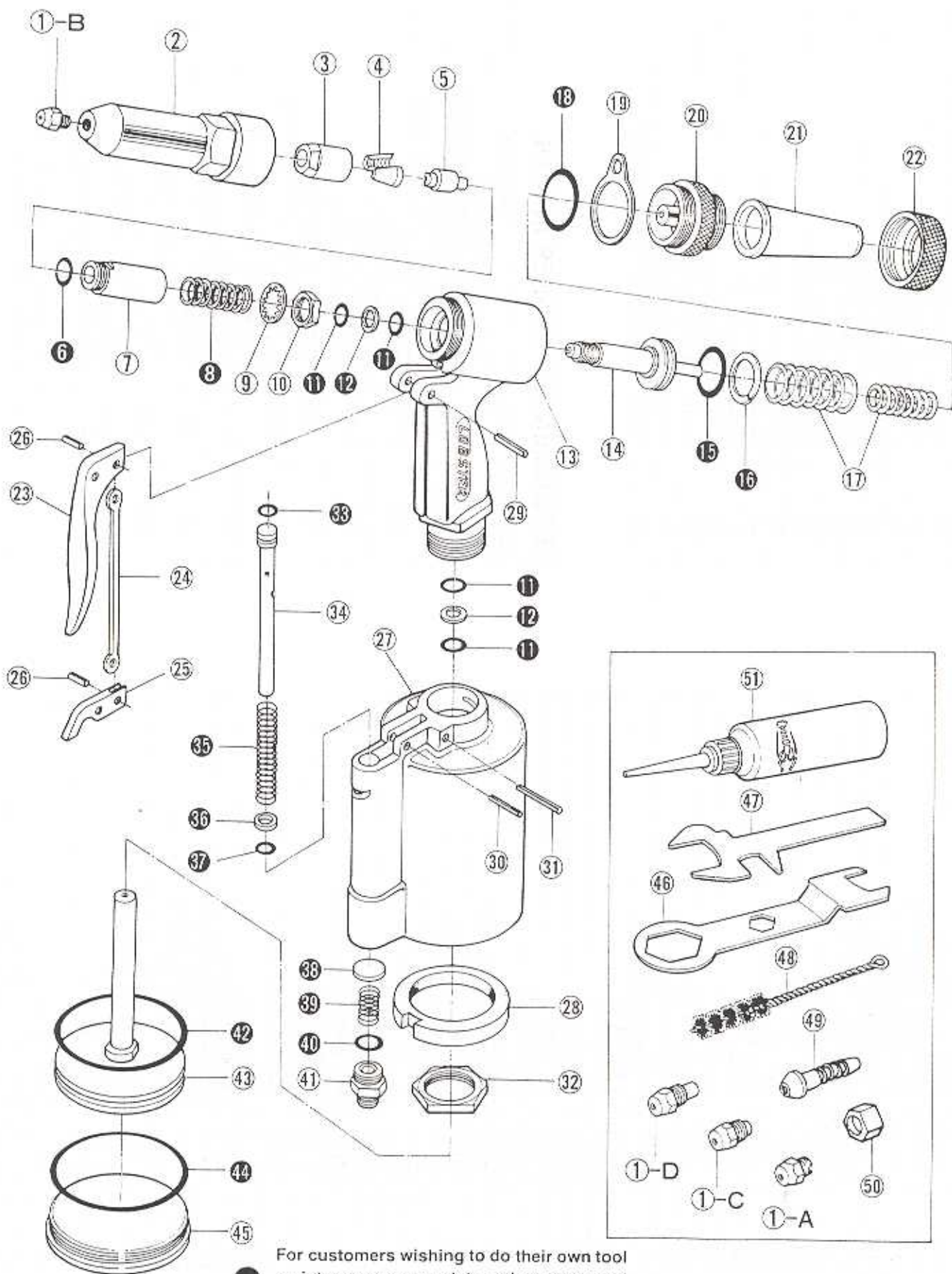


# AR-011M(B)



For customers wishing to do their own tool maintenance, a complete maintenance tool  
 ● spares kit (#109) is available.

## AR-011M(B) PARTS LIST

INDEX NO	CODE	PART-NAME
01	14450	Set of 4 Nose Pieces
01A	10027	Nose Piece (S) 2.4(3/32)
01B	10028	Nose Piece (S) 3.2(1/8)
01C	10029	Nose Piece (S) 4.0(5/32)
01D	10030	Nose Piece (S) 4.8(3/16)
02	10105	Frame Head
03	10116	Jaw Case Head
04	10117	Jaw (set) 'M'
05	10132	Jaw Pusher
06	10151	O-Ring S-10
07	10115	Jaw Case
08	10133	Jaw Pusher Spring
09	10148	Lock Washer A-7/16
10	10113	Jaw Case Lock Nut
11	10128	O-Ring P-12
12	10129	B-Ring P-12
13	14140	Frame only
14	10109	Oil Piston
15	10130	O-Ring P-22A
16	10131	B-Ring P-22A
17	14200	Return Spring A+B (set)
17A	10110	Return Spring A (inner)
17B	10111	Return Spring B (outer)
18	10153	O-Ring S-26
19	10106	Hanger Clip
20	10104	Frame Cap
21	14012	Safety Cap (reinforced,blue)
22	10108	Safety Cap Nut
23	13121	Trigger (long)
24	10120	Trigger Connector Rod
25	10119	Trigger Lever
26	10147	Spring Pin 3 × 6
27	10010	Air Cylinder (with Bumper)
28	10114	Bumper (Rubber Cushion)
29	10144	Spring Pin 3 × 22
30	10145	Spring Pin 3 × 18
31	14154	Slotted Pin 4 × 31
32	10112	Frame Lock Nut
33	10149	O-Ring P-7
34	10123	Valve Pusher
35	10124	Valve Pusher Spring
36	10154	Collar for Valve Pusher
37	10110	O-Ring P-6

## AR-011M(B) PARTS LIST

INDEX MO.	CODE	PART-NAME
38	10125	Valve (Disc)
39	10126	Valve Spring
40	10152	O-Ring S-14
41	10127	Nipple (3/8-1/4)
42	10134	O-Ring P-60
43	14168	Air Piston Unit
44	10080	O-Ring G-70
45	10011	Air Cylinder Cap
46	10141	Spanner 'A'
47	10142	Spanner 'B'
48	10143	Cleaning Brush
49	10140	Air Hose Joint 1/4
50	10139	Air Hose Joint Nut 1/4
51	10012	Hydraulic Oil (150cc in a bottle)

## RECOMMENDED SPARES IN KITS

INDEX NO.	CODE	PART-NAME
100	16348	Auxiliary & Accessory Kit (includes nos. 1,4,46,47,48,49,50&51)
101LT	14454	Long Trigger Assembly (includes nos. 23,24,25,26-2pcs.,29&30)
102	14174	Air Piston Assembly (includes nos. 42&43)
103	14148	Oil Piston Assembly (includes nos. 14,15&16)
104	10101	Frame (with O-/B-Rings) (includes nos. 13,11-4pcs.,&12-2pcs)
105	16352	Hydraulic Seal Kit (includes nos. 18,11-4pcs.,&12-2pcs)
106	14407	Piston Seal Kit (includes nos. 15,16,42&44)
107	16356	Valve Seal Kit (includes nos. 33,36,37&40)
108	16360	Light Spring & Valve Kit (includes nos. 8,35,39&38)
109	16364	Maintenance Kit (complete set of 6,105,106,107&108)
110	15339	Auxiliary Tool Kit (includes nos. 1A,1C,1D,4,46,47,48,49&50)
	02431	Jaw Lube (50cc in a bottle)