

3Ton Trolley Jack S-3T

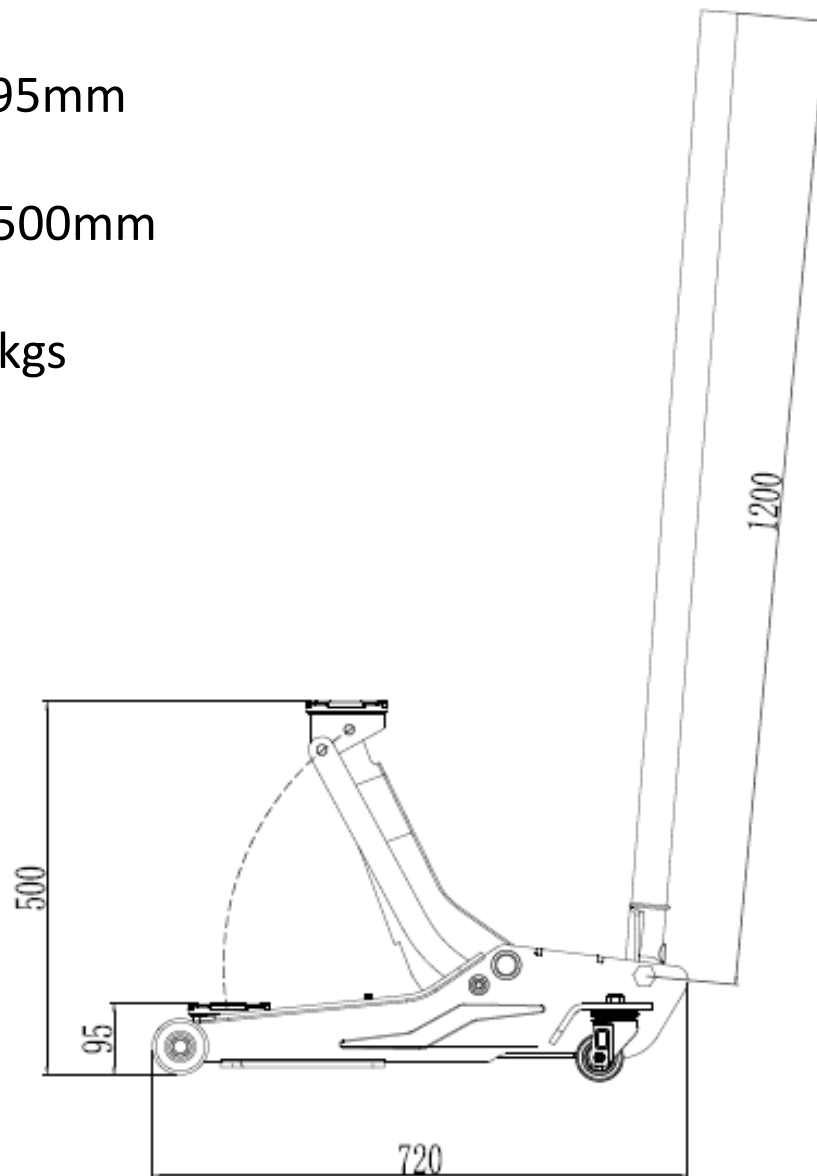
Standard



Min Height:95mm

Max height:500mm

Weight:37.5kgs





Advantages

Piston

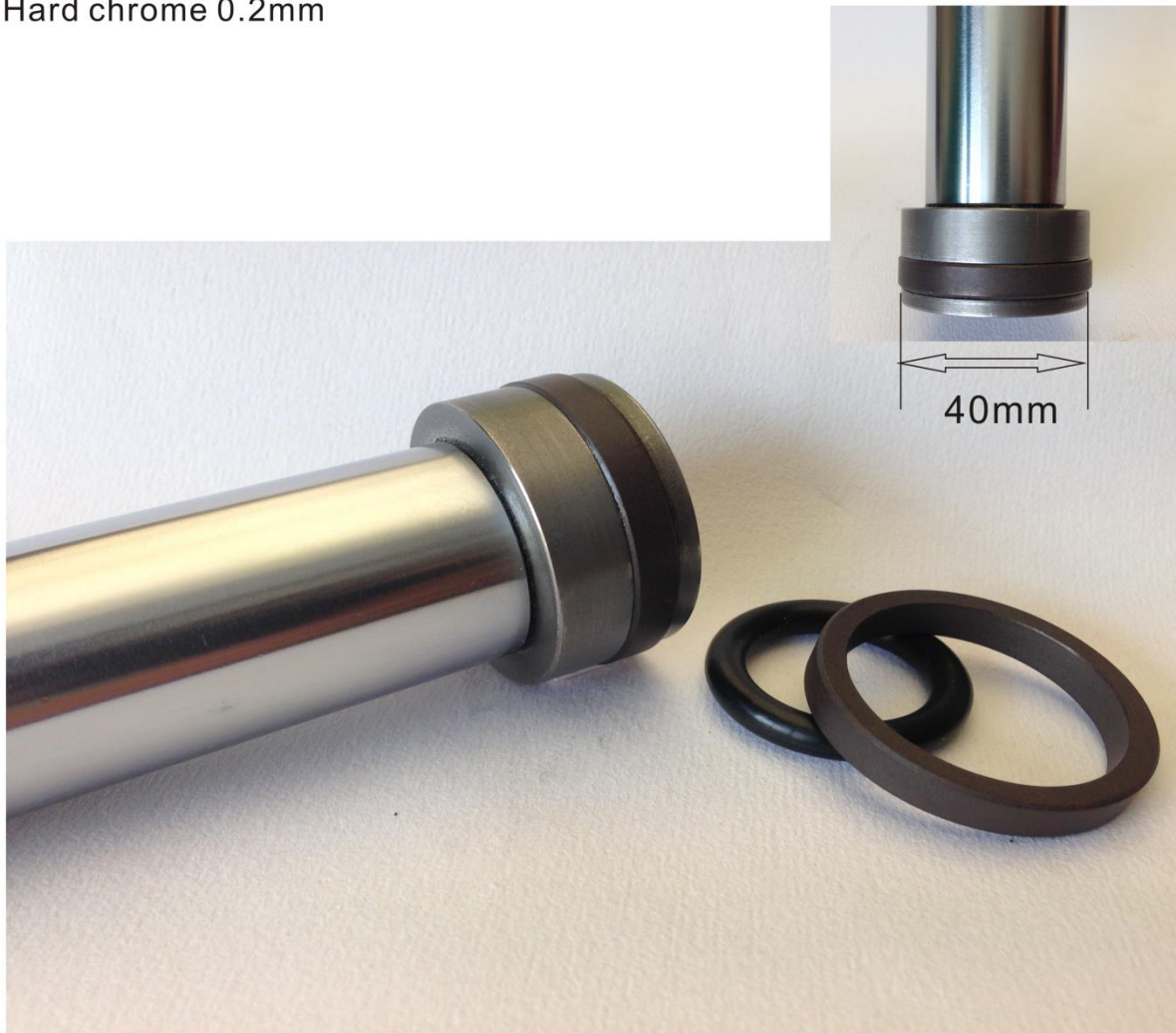
Double pumps

Strength of Frame

Feature & Looking

Machines

- ① OE sealing--self-lubricating,high pressure resistance for long life;
- ② Dia 40mm--Low pressure of cylinder,long service life and low operation power request
- ③ Piston supporting construction:wear resistance between cylinder and piston;
- ④ Hard chrome 0.2mm



Advantages---Piston



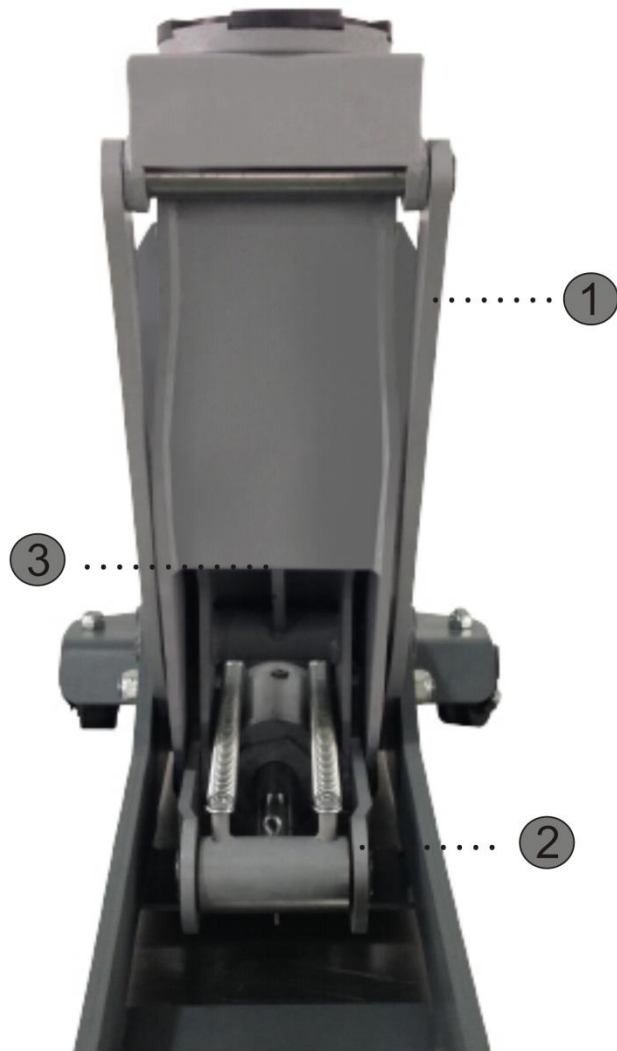


- ① Rod with hard chrome 0.2mm;
- ② Special sealing construction(assembled in oil pump)

Remark: Sealing are assembled in oil pump, and contacted with hard chrome/smooth rod for better sealing;

Advantages---Oil pump





- ① Tie plate thickness:10mm
- ② Lifting arm thickness:10mm
- ③ Supporting arm(strength)
- ④ Mold forming for main metal plate;
- ⑤ Welding by welding robot

Advantages---Strength of Frame



- Features:
- ① Handle grip
 - ② Spare parts tray
 - ③ Rubber pad
 - ④ Nylon wheels

Looking: Design

- ⑤ Designed wheel cover
- ⑥ Streamlined design
- ⑦ Sand blasting
- ⑧ Wrinkle painting

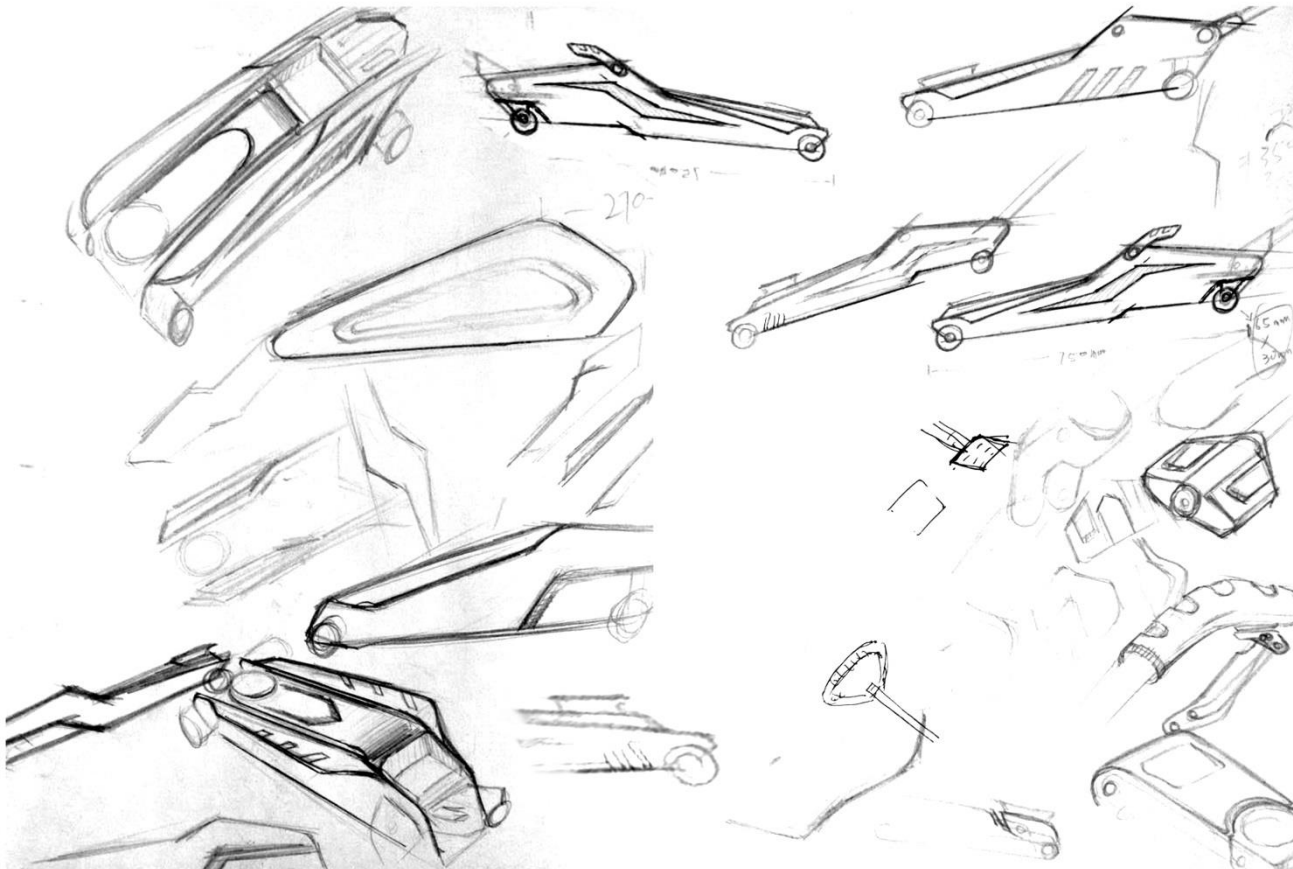


Send blasting

Advantages---Features&Design



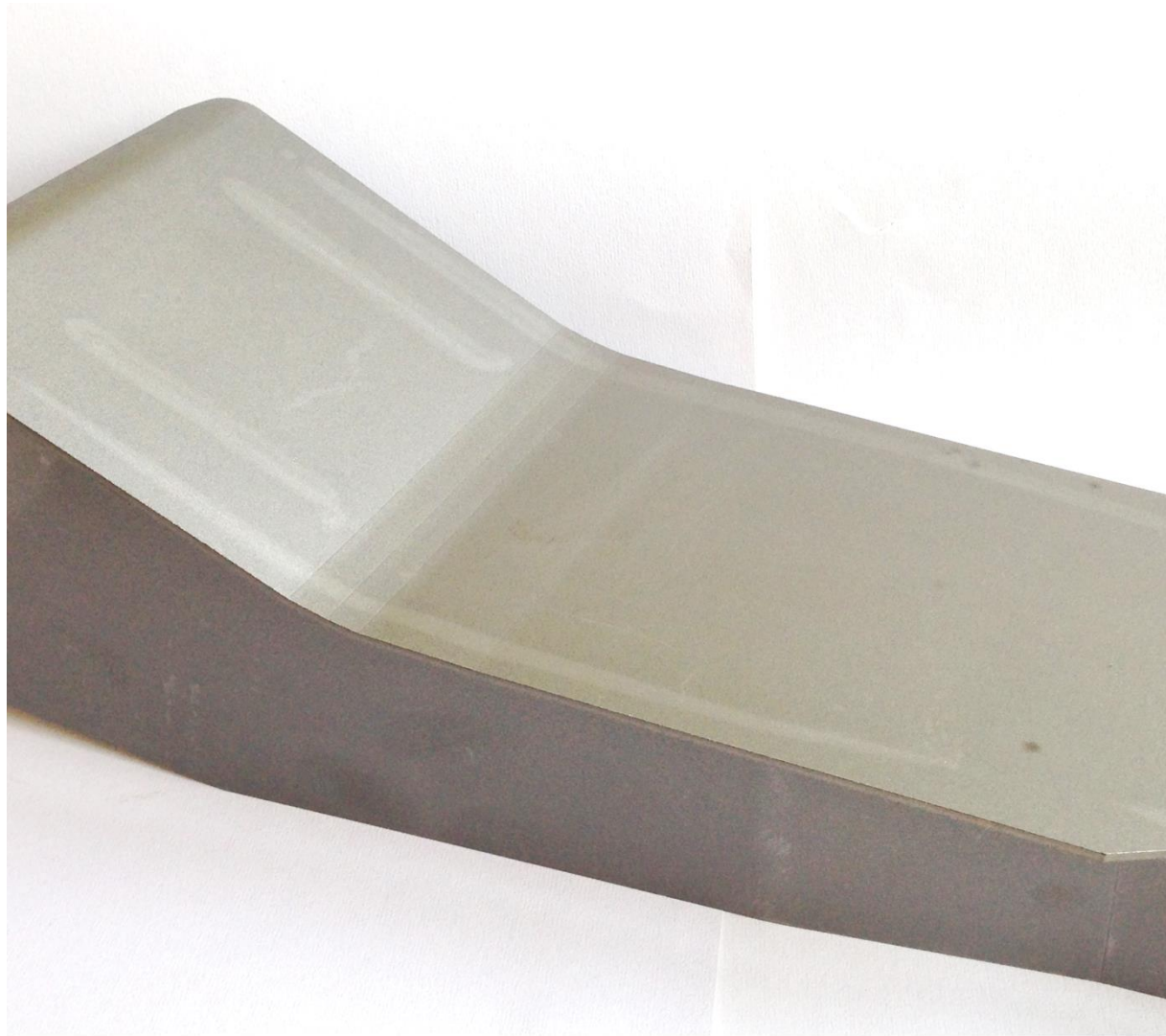
TROLLEY JACK DESIGN



Design Idea:

Streamlined design, floor jack is a tool, it should be strong, functional, then the third is looking. The side is lighting design, it means powerful and makes the jack stronger. Just like a gentleman dressed in a tuxedo but also with big muscles....





Sand blasting before painting:
1) Rusty resistance
2) Better adhesion



Advantages—High tech machines...



Machining workshop



Machining workshop



CNC



Numerical control lathe



Welding robot



Assembly workshop

